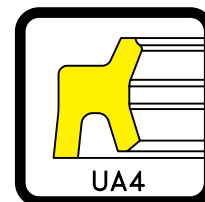
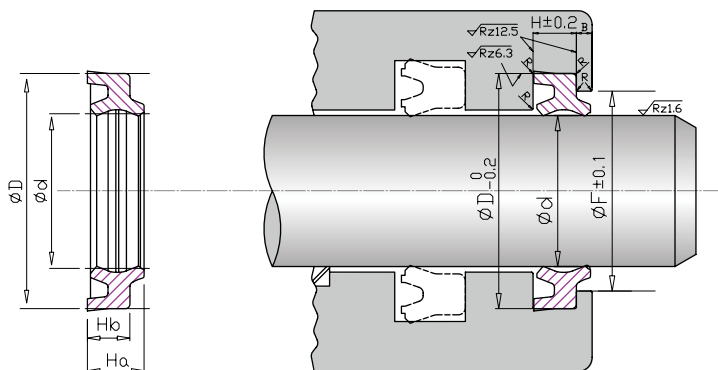


# UA4 Series

TPU Double Lip Rod Wiper Seal



### ESTER TPU 95 PHYSICAL PROPERTIES

Working Temperature: -35°C ~ +80°C

Surface Speed: ≤ 1.0 m/s

Media: Mineral Oil

Abrasion Resistance 35mm<sup>3</sup> DIN53516

Compression Set 30% DIN53517

24 hrs @ 100 °C 30% ASTM D-395

Specific gravity 1.18 g/cm<sup>3</sup> DIN53479  
1.18 g/cm<sup>3</sup> ASTM D-972

Hardness	95 Shore A	DIN53505
	95 Shore A	ASTM D2240
Tensile Strength	50 Mpa	DIN53504
	7252 psi	ASTM D-412
Elongation	515 %	DIN53504
	515 %	ASTM D-412
Tear Strength	140 N/mm	DIN53515
	799 pli	ASTM D-624
Standard Compound	KC9502AN / KC9502BL	
Color	Gray ● / Dark Blue ●	

CODE	d (mm)	D (mm)	Ha	Hb	F
UA40001	18.0	26.0	6.0	4.5	22.3
UA40002	20.0	28.0	6.0	4.5	24.3
UA40003	22.0	30.0	6.0	4.5	26.3
UA40004	22.4	30.4	6.0	4.5	26.7
UA40005	25.0	33.0	6.0	4.5	29.3
UA40006	26.0	34.0	6.0	4.5	30.3
UA40007	28.0	36.0	6.0	4.5	32.3
UA40008	30.0	38.0	6.5	5.0	34.0
UA40009	31.5	39.5	6.5	5.0	35.5
UA40010	32.0	40.0	6.5	5.0	36.0
UA40011	34.0	42.0	6.5	5.0	38.0
UA40012	35.0	43.0	6.5	5.0	39.0
UA40013	35.5	43.5	6.5	5.0	39.5
UA40014	38.0	46.0	6.5	5.0	42.0
UA40015	40.0	48.0	6.5	5.0	44.0
UA40016	45.0	53.0	6.5	5.0	49.0
UA40017	48.0	56.0	6.5	5.0	52.0
UA40018	50.0	58.0	6.5	5.0	54.0
UA40019	55.0	63.0	6.5	5.0	59.0
UA40020	56.0	64.0	6.5	5.0	60.0
UA40021	58.0	66.0	6.5	5.0	62.0
UA40022	60.0	68.0	6.5	5.0	64.0
UA40023	63.0	71.0	6.5	5.0	67.0

CODE	d (mm)	D (mm)	Ha	Hb	F
UA40024	65.0	73.0	6.5	5.0	69.0
UA40025	70.0	80.0	8.0	6.0	75.0
UA40026	71.0	81.0	8.0	6.0	76.0
UA40027	75.0	85.0	8.0	6.0	80.0
UA40028	80.0	90.0	8.0	6.0	85.0
UA40029	85.0	95.0	8.0	6.0	90.0
UA40030	90.0	100.0	8.0	6.0	95.0
UA40031	95.0	105.0	8.0	6.0	100.0
UA40032	100.0	110.0	8.0	6.0	105.0
UA40033	105.0	115.0	8.0	6.0	110.0
UA40034	112.0	122.0	8.0	6.0	117.0
UA40035	125.0	138.0	9.5	7.0	132.0
UA40036	140.0	153.0	9.5	7.0	147.0
UA40037	150.0	163.0	9.5	7.0	157.0
UA40038	180.0	193.0	9.5	7.0	187.0
UA40039	185.0	198.0	9.5	7.0	192.0
UA40040	200.0	213.0	9.5	7.0	207.0
UA40041	210.0	223.0	9.5	7.0	217.0
UA40042	250.0	265.0	11.5	9.0	258.0
UA40043	36.0	44.0	6.5	5.0	40.0
UA40046	16.0	24.0	6.0	4.5	20.3